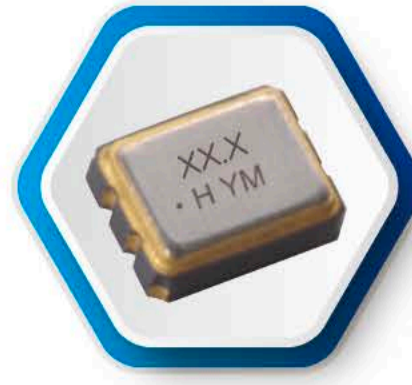




HSO321SK SERIES

CRYSTAL OSCILLATOR, SPXO



☑ RoHS Compliant ☑ Pb Free ☑ AEC Qualified

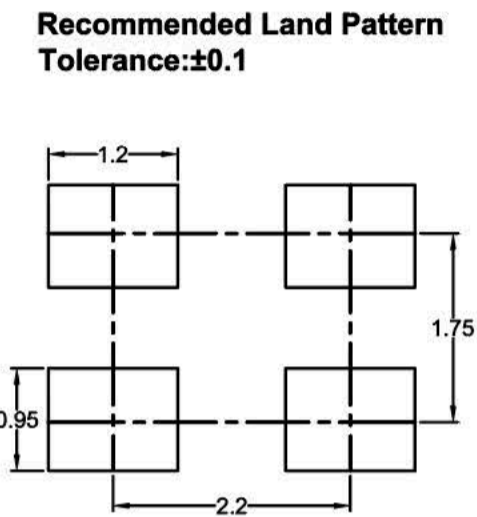
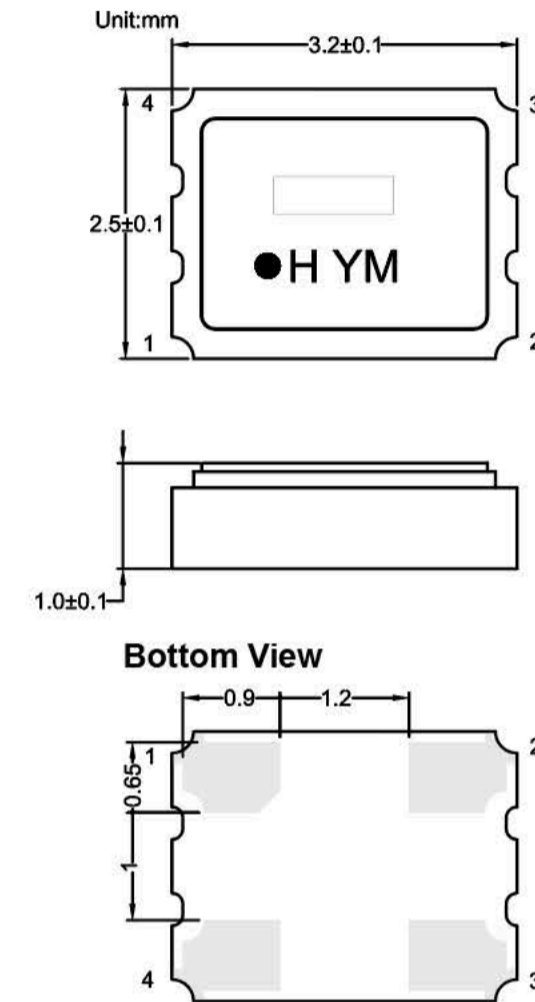
STANDARD SPECIFICATION

Items		Parameter			
Frequency Range		1~160MHz			
Power Voltage (±10%)		+1.8 V	+2.5 V	+2.8 V	+3.3 V
Frequency Stability over Operating Temperature Range		±100 ppm /-40~+125°C			
Output Character	"0" Level	10%VDD Max.			
	"1" Level	90%VDD Min.			
	Rise Time (Tr)	10% ~ 90%VDD 10ns Max.			
	Fall Time (Tf)	90% ~ 10%VDD 10ns Max.			
	Symmetry	60/40 to 40/60 at 50%VDD			
	Output Load	15pF Max.			
Current Consumption	I _{cc}	15 mA Max.			
Stand-by Current (#1 pin = "L" Level)	I _{std}	10 uA Max.			
Start-up Time		3 ms Max.			
Phase Jitter	10≤f ₀ ≤40	1ps Max. (F offset : 12KHz ~ 5MHz)			
	40≤f ₀ ≤160	1ps Max. (F offset : 12KHz ~ 20MHz)			
Storage Temp.		-55°C ~ +125°C			

*For other specification, please contact us.

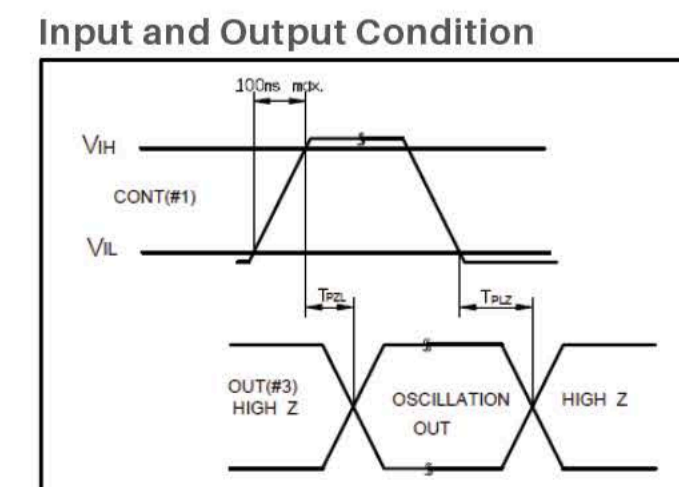
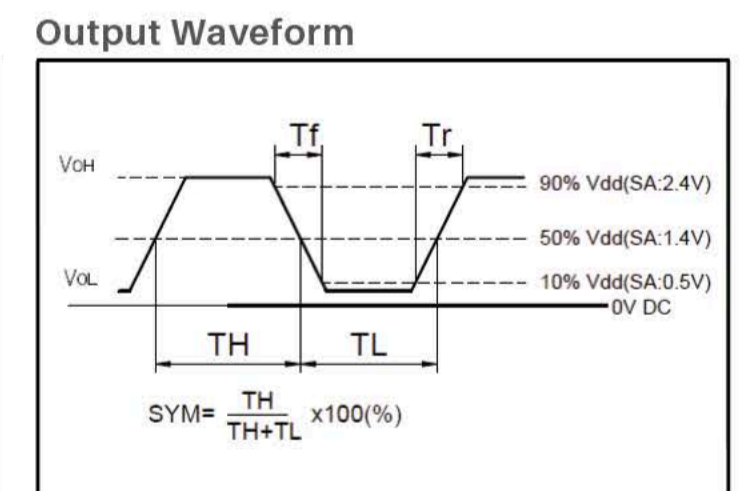
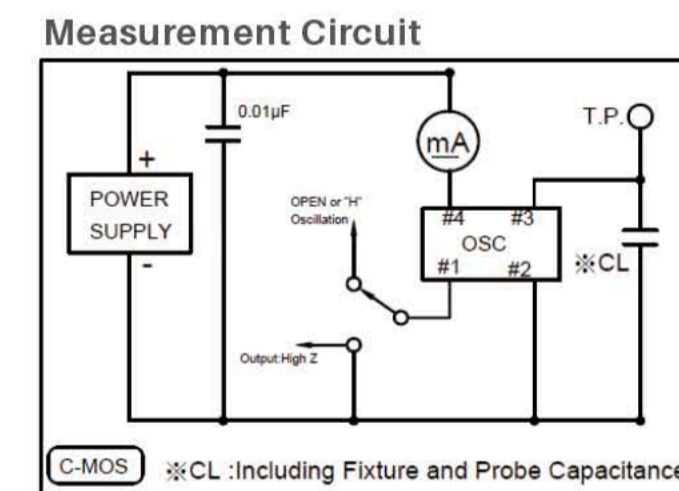
Packing Unit : 3,000pcs/Reel.

DIMENSION



Pin Connections	
1	OE(Output Enable)
2	GND
3	Output
4	Vdd

TEST CIRCUIT AND OUTPUT WAVEFORM



Actual Size