

## HSO211S Series-2.05mm x 1.65mm CRYSTAL OSCILLATOR, SPXO



### Features

- SMD type for space-saving design solutions, current usage spreads over a wide range of applications.
- High precision and reliability with excellent heat resistance.
- Common solution for RF applications, module devices, and other consumer-based mobile products.

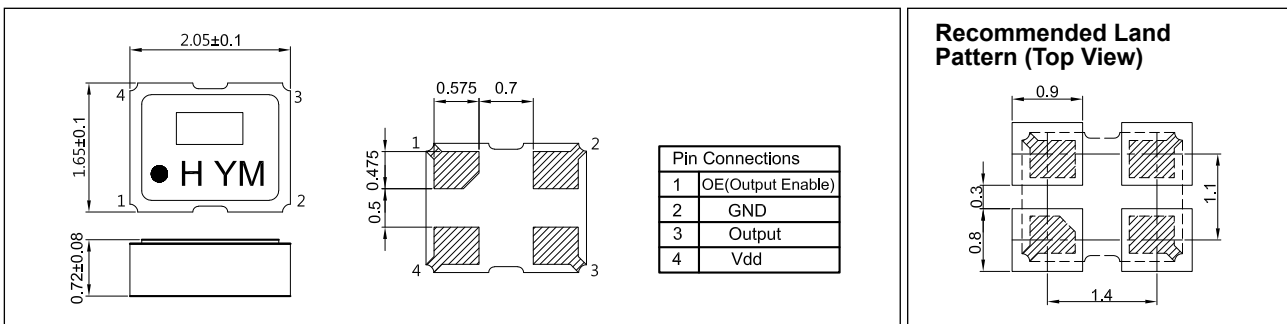
### STANDARD SPECIFICATION:

ITEMS		PARAMETER			
Frequency Range		1MHz ~ 54MHz			
Frequency Stability		±25ppm, ±50ppm, ±100ppm			
Option on pin 1		pin 1 Have Control			
POWER voltage		+1.8 V (±10%)	+2.5 V (±10%)	+2.8 V (±10%)	+3.3 V (±10%)
Storage Temp.		-55°C ~ +125°C			
Output Character	"0" Level	10%VDD max			
	"1" Level	90%VDD min			
	Rise Time (Tr)	10% ~ 90%VDD 10ns max			
	Fall Time (Tf)	90% ~ 10%VDD 10ns max			
	Symmetry	60/40 to 40/60 at 50%VDD			
Output Load	15pF Max.				
Current Consumption	I <sub>cc</sub>	5mA max .			
Stand-by Current (#1 pin "L" Level)	I <sub>std</sub>	10uA max .			
Start-up time		3ms max			
Phasae Jitter		1ps max(F offset : 12KHz ~ 20MHz)			

Packing Unit : 3,000pcs/Reel.

### DIMENSION

Unit: mm



### Test Circuit and Output Waveform:

